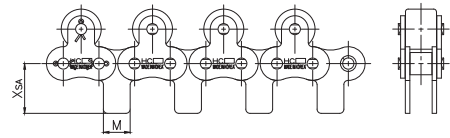
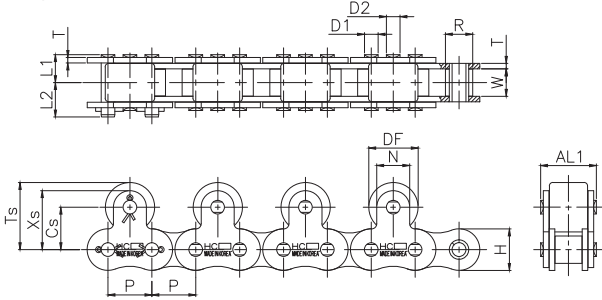
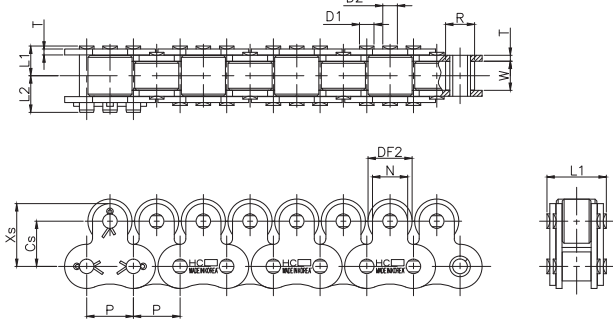
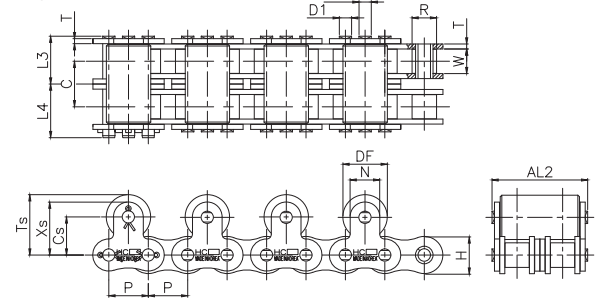
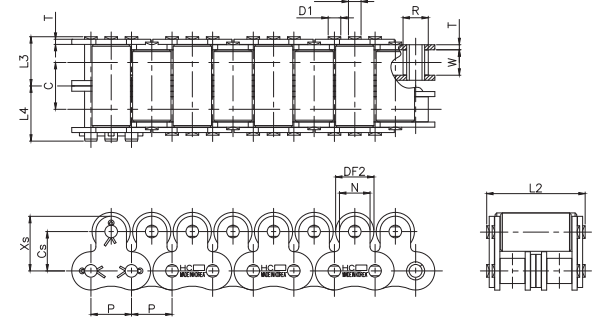


톱 롤러 체인 (표준형)

TOP ROLLER CHAIN (STANDARD TYPE)

(가이드형 GUIDE TYPE)

(1열형 SINGLE STRAND)
2L/TR

1L/TR

(2열형 DOUBLE STRAND)
2L/TR

1L/TR


(단위 UNIT : mm)

| 체인번호 Chain No. | 피치 Pitch P | 롤러 링크너폭 Roller Link Width W | 롤러 외경 Roller Outer Dia. R | 핀 Pin | | | | 링크 플레이트 Link Plate | | 횡피치 Transverse Pitch C | 최소 인장강도 Minimum Tensile Strength KN(kg.f) | 최대 허용장력 Maximum Allowable Tension KN(kg.f) | |
|-------------------|------------------|-----------------------------------|---------------------------------|----------------|----------------|----------------|----------------|--------------------|-------------------|------------------------------|---|--|----------------------|
| | | | | 직경 Dia D | 길이 Length | | | | 높이 Height H | | | | 두께 Thickness T |
| | | | | | L ₁ | L ₂ | L ₃ | L ₄ | | | | | |
| HC 40 | 12.70 | 7.95 | 7.94 | 3.97 | 8.20 | 9.25 | - | - | 12.00 | 1.50 | - | 15.7(1,600) | 3.63(370) |
| HC 50 | 15.875 | 9.53 | 10.16 | 5.09 | 10.30 | 11.85 | - | - | 15.00 | 2.00 | - | 24.5(2,500) | 6.37(650) |
| HC 60 | 19.05 | 12.70 | 11.91 | 5.96 | 12.75 | 14.55 | - | - | 18.10 | 2.40 | - | 34.3(3,500) | 8.83(900) |
| HC 80 | 25.40 | 15.88 | 15.88 | 7.94 | 16.25 | 19.90 | - | - | 24.10 | 3.20 | - | 61.3(6,250) | 14.7(1,500) |
| HC 100 | 31.75 | 19.05 | 19.05 | 9.54 | 19.80 | 23.60 | - | - | 30.10 | 4.00 | - | 95.6(9,750) | 22.6(2,300) |
| HC 40-2 | 12.70 | 7.95 | 7.94 | 3.97 | - | - | 15.40 | 16.45 | 12.00 | 1.50 | 14.40 | 31.4(3,200) | 6.18(630) |
| HC 50-2 | 15.875 | 9.53 | 10.16 | 5.09 | - | - | 19.35 | 20.90 | 15.00 | 2.00 | 18.10 | 49.0(5,000) | 10.7(1,100) |
| HC 60-2 | 19.05 | 12.70 | 11.91 | 5.96 | - | - | 24.15 | 25.95 | 18.10 | 2.40 | 22.80 | 68.6(7,000) | 15(1,530) |
| HC 80-2 | 25.40 | 15.88 | 15.88 | 7.94 | - | - | 30.10 | 34.50 | 24.10 | 3.20 | 29.30 | 122.6(12,500) | 25(2,550) |
| HC 100-2 | 31.75 | 19.05 | 19.05 | 9.54 | - | - | 37.70 | 41.50 | 30.10 | 4.00 | 35.80 | 191.2(19,500) | 38.3(3,910) |

| 체인번호 Chain No. | 어태치먼트 Attachment | | | | | | | | | | 체인 개략중량 Chain Approx. Weight (kg/m) |
|-------------------|------------------|-----------------|----------------|-------|----------------|-----------------|-------|-------|----------------|------|---|
| | DF | DF ₂ | C _s | N | X _s | X _{sa} | M | ℓ | ℓ ₁ | d | |
| HC 40 | 15.88 | 11 | 12.70 | 9.50 | 17.45 | 17.40 | 9.50 | 13.20 | - | 3.97 | 1.30 |
| HC 50 | 19.05 | 15 | 15.90 | 12.70 | 22.25 | 23.05 | 12.70 | 16.20 | - | 5.09 | 1.90 |
| HC 60 | 22.23 | 18 | 18.30 | 15.90 | 26.25 | 26.85 | 15.90 | 20.60 | - | 5.96 | 2.90 |
| HC 80 | 28.58 | 24 | 24.60 | 19.10 | 34.15 | 35.45 | 19.10 | 25.70 | - | 7.94 | 4.80 |
| HC 100 | 39.69 | 30 | 31.80 | 25.40 | 44.50 | 44.00 | 25.40 | 31.00 | - | 9.54 | 7.90 |
| HC 40-2 | 15.88 | 11 | 12.70 | 9.50 | 17.45 | 17.40 | 9.50 | - | 28.30 | 3.97 | 2.60 |
| HC 50-2 | 19.05 | 15 | 15.90 | 12.70 | 22.25 | 23.05 | 12.70 | - | 34.30 | 5.09 | 3.80 |
| HC 60-2 | 22.23 | 18 | 18.30 | 15.90 | 26.25 | 26.85 | 15.90 | - | 43.40 | 5.96 | 5.80 |
| HC 80-2 | 28.58 | 24 | 24.60 | 19.10 | 34.15 | 35.45 | 19.10 | - | 55.00 | 7.94 | 9.60 |
| HC 100-2 | 39.69 | 30 | 31.80 | 25.40 | 44.50 | 44.00 | 25.40 | - | 66.90 | 9.54 | 15.80 |