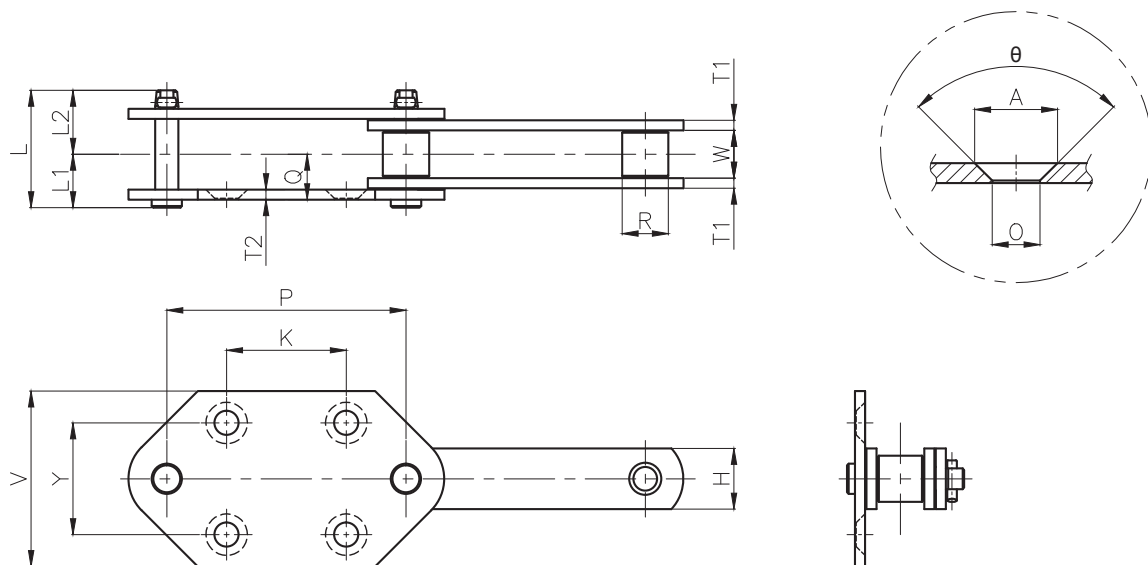


버킷 엘리베이터용 체인 (G4형)

BUCKET ELEVATOR CHAIN (G4 TYPE)

> G4 ATTACHMENT (SINGLE PLATED)

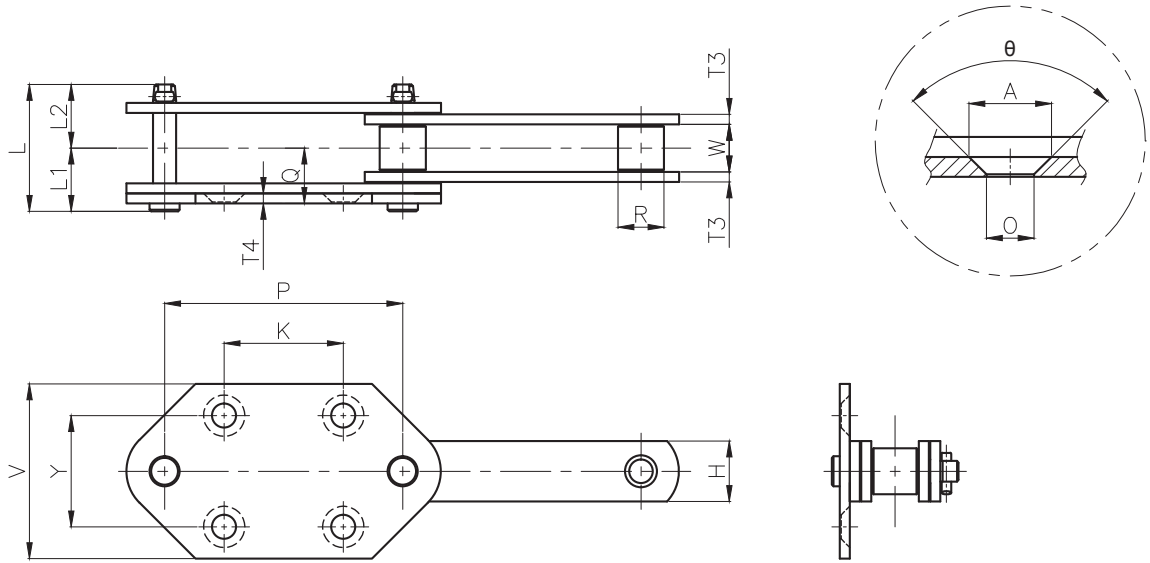


(단위 UNIT : mm)

체인번호 Chain No.	피치 Pitch P	롤러 직경 Roller Dia. R	롤러 링크너폭 Roller Link Width W	링크 플레이트 Link Plate		핀 Pin			평균인장강도 KN (kgf) Average Tensile Strength	
				높이 Height H	두께 Thickness T ₁	길이 Length			준강력형 Semi-strong	강력형 Strong
						L	L ₁	L ₂		
B 10150S	150	29.0	30.0	38.1	6.3	69.0	33.0	36.0	17,000	23,500
B 12006S B 12200S	152.4 200	34.9	37.1	44.5	7.9	83.5	40.5	43.0	23,000	28,500
B 17200S B 17250S	200 250	40.1	51.4	50.8	9.5	109.5	51.5	58.0	32,000	39,500
B 26200N B 26250N	200 250	50.8	57.2	63.5	9.5	117.0	56.0	61.0	42,000	53,000
B 36250N	250	57.2	66.7	76.2	12.7	147.0	69.0	78.0	59,000	69,500

체인번호 Chain No.	V	K	Y	T ₂	Q	A	O	θ	볼트 Bolt	2링크/어태치먼트 계략중량 Approx. Weight of 2 Links / Attachment
B 10150S	110	75	70	6.3	28.5	26	15	90°	M12	7.5
B 12006S B 12200S	110 120	75 100	70 80	7.9	35.5	26	15	90° 90°	M12 M14	11 10
B 17200S B 17250S	120 150	100 140	80 100	9.5	45.5	26 32	15 19	90° 90°	M14 M16	14 15
B 26200N B 26250N	120 150	100 140	80 100	9.5	48	26 32	15 19	90° 90°	M14 M16	20 19
B 36250N	150	140	100	12.7	60	32	19	90°	M16	30

➤ G4 ATTACHMENT (DOUBLE PLATED)



(단위 UNIT : mm)

체인번호 Chain No.	피치 Pitch P	롤러 직경 Roller Dia. R	롤러 링크너폭 Roller Link Width W	링크 플레이트 Link Plate		핀 Pin			평균인장강도 KN (kgf) Average Tensile Strength	
				높이 Height H	두께 Thickness T ₃	길이 Length			준강력형 Semi-strong	강력형 Strong
						L	L ₁	L ₂		
B 26300N	300	50.8	57.2	63.5	9.5	129.5	68.5	61	42,000	53,000
B 36300N	300	57.2	66.7	76.2	12.7	159	81	78	59,000	69,500
B 36350N	350									
B 60300N	300	70	77	90	12.7	172	88	84	75,000	106,000
B 60350N	350									
B 60400N	400									
B 90350N	350	85	88	100	16	197.5	102	95.5	115,000	166,000
B 90400N	400									
B 120400N	400	100	100	130	19	227.5	119.5	108	160,000	225,000

체인번호 Chain No.	V	K	Y	T ₄	Q	A	O	θ	볼트 Bolt	2링크/아태치먼트 계량중량 Approx. Weight of 2 Links / Attachment
B 26300N	200	170	140	12	60	38	24	90°	M20	24
B 36300N	200	170	140	12	72	38	24	90°	M20	33
B 36350N	240	200	170	12	72	40	28	60°	M24	34
B 60300N	200	170	140	12	77	38	24	90°	M20	41
B 60350N	240	200	170	12	77	40	28	60°	M24	43
B 60400N	280	230	200	16	81	50	35	60°	M30	46
B 90350N	240	200	170	12	89.5	40	28	60°	M24	60
B 90400N	280	230	200	16	93.5	50	35	60°	M30	64
B 120400N	280	230	200	16	105.5	50	35	60°	M30	85